

CNW M 833

Fully-cast three-phase DV/DT filter

Advantages

- Use in harsh environments
- Protection class: IP 00 - IP 66
- Optimum mechanical protection of the choke
- Protection for electrical loads
- Limitation of voltage rise to < 500 V/μs
- Extended service life for electrical loads
- Low leakage currents at the motor
- Low total loss
- Very low noise
- Easy assembly
- Production according to UL insulation system E251513 possible

Description

- Nominal voltage: $U \leq 3 \times 400 \text{ V}$
- Reduction of the voltage rise DV/DT to < 500 V/μs
- Max length of supply cable to motor: 200 m
- Rotating field frequency: 10 - 60 Hz
- Short-circuit voltage UK at 400 V: 0.8 %
- Clock frequency of the inverter: 4 kHz > ft < 8 kHz
- According to: EN 60289 / EN 61558
- Test voltage: L-L 2500 V, AC/50 Hz 60 s; L-PE 2500 V, AC/50Hz 60 s
- Insulation class: T40/F
- Protection class: IP 00 - IP 66
- Climate category: DIN IEC 60068-1
- Overload: $1.5 \times I_{\text{rated}}$ 1 min/h
- Ambient temperature 40 °C)
- Design: Mounted on brackets



Technical details

CNW M 833								
Type	Protection class	Nominal voltage [V]	Nominal current [A]	Inductance [mH]	Capacitance [pF]	Weight [kg]	Clamp [mm²]	Cable screw connection
CNW M 833 / 8	IP 66	3 x 400 ≤ 60 Hz	8	2	330	3,3	2,5	M20x1,5
CNW M 833 / 16	IP 66		16	0,9	330	4,5	6	M25x1,5
CNW M 833 / 36	IP 65		36	0,42	1500	9	16	M32x1,5
CNW M 833 / 60	IP 65		60	0,27	2200	25	35	M40x1,5
CNW M 833 / 90	IP 65		90	0,17	4700	27	35	M40x1,5
CNW M 833 / 180	IP 65		175	0,09	10000	40	95	M63x1,5

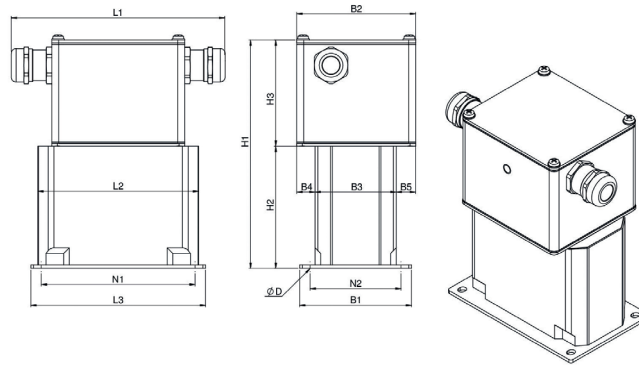


Typical applications: Drive systems for motor drives, mechanical engineering, elevators / escalators, pipes, conveyor technology, ventilation and air conditioning, robotics, automation technology, power supplies, wind turbines

Dimensions in mm

CNW M 833															
Type	Measurements														Design
	L1 [mm]	L2 [mm]	L3 [mm]	B1 [mm]	B2 [mm]	B3 [mm]	B4 [mm]	B5 [mm]	H1 [mm]	H2 [mm]	H3 [mm]	N1 [mm]	N2 [mm]	D [mm]	
CNW M 833 / 8	170	140	150	80	80	55	20,5	5,5	170	57	75	135	65	5,5x7	1
CNW M 833 / 16	180	140	170	85	80	65	10,5	5,5	170	57	75	155	70	5,5x7	1
CNW M 833 / 36	245	175	175	115	120	80	20	20	250	140	110	155	95	5,5x15	1
CNW M 833 / 60	315	249	255	180	175	120	30	27	323	218	105	185	150	9x13	1
CNW M 833 / 90	315	250	255	180	175	120	30	25	325	218	105	185	150	9x13	1
CNW M 833 / 180	355	270	-	127	200	160	105	8	350	220	130	185	105	10x18	2

Design 1



Design 2

