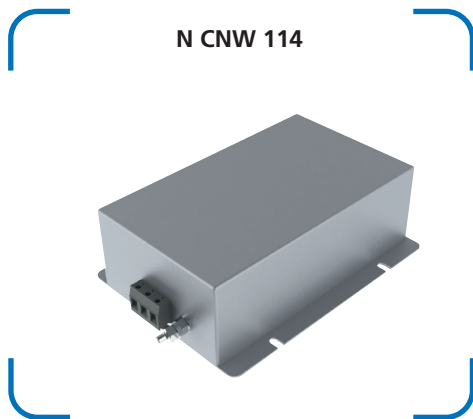


N CNW 114

Three phase mains filter, single-stage, three wire



Advantages

- Small dimensions
- Quick connection
- Low temperature rise
- Touch-proof terminals
- Very good attenuation in a wide frequency spectrum
- IT-versions possible
- UL approval for CNW

Technical data

N CNW 114								
Type	Rated voltage [V]	Rated current [A]	Leakage current [mA]	Cx [μF]	Cy [nF]	L [mH]	R [kOhm]	Frequency [Hz]
CNW 114/8	3 x 500	8	<5	1,0	0,244	7,6	1,12	50/60
CNW 114/16		16	<30	2,53	1,57	5,2	1,12	
CNW 114/25		25	<30	2,53	1,57	2,5	1,12	
CNW 114/36		36	<30	2,53	1,57	1,5	1,12	
CNW 114/50		50	<30	2,53	1,57	0,9	1,12	
CNW 114/64		64	<30	2,53	1,57	0,9	1,12	
CNW 114/80		80	<35	3,63	1,68	0,8	1,12	
CNW 114/110		110	<35	3,63	1,68	0,5	1,12	
CNW 114/180		180	<35	3,63	1,68	0,5	1,12	
CNW 114/300		300	<60	7,26	3,36	0,3	1,12	
CNW 114/450		450	<60	7,26	3,36	0,16	1,12	
CNW 114/600		600	<60	7,26	3,36	0,155	1,12	
CNW 114/900		900	<60	7,26	3,36	0,055	1,12	
CNW 114/1200	1200	<60	7,26	3,36	0,055	1,12		

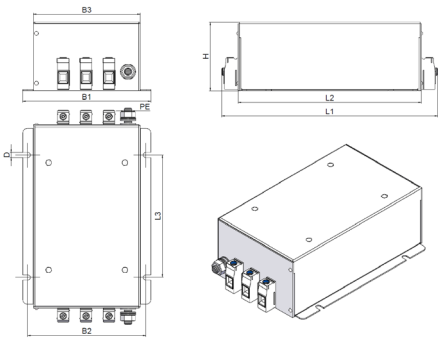


Typical applications: Frequency converters for motor drives, wind power installations and power supply units

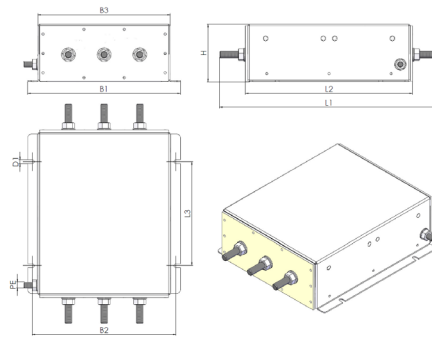
Dimensions in mm

N CNW 114												
Type	Housing	Connection	PE-Connection	Dimensions								
				B1 [mm]	B2 [mm]	B3 [mm]	D1 [mm]	D2 [mm]	H [mm]	L 1 [mm]	L 2 [mm]	L 3 [mm]
CNW 114/8	B	Clamps 4mm ²	2 x M6	98	80	70	5	-	70	177	150	90
CNW 114/16	B	Clamps 4mm ²	2 x M6	148	135	120	5	-	70	227	200	160
CNW 114/25	B	Clamps 6mm ²	2 x M6	148	135	120	7	-	70	229	200	160
CNW 114/36	B	Clamps 10mm ²	2 x M6	148	135	120	7	-	70	229	200	160
CNW 114/50	B	Clamps 16mm ²	2 x M6	148	135	120	7	-	70	238	200	160
CNW 114/64	B	Clamps 16mm ²	2 x M6	148	135	120	7	-	70	238	200	160
CNW 114/80	B	Clamps 25mm ²	2 x M10	168	155	140	7	-	90	303	240	160
CNW 114/110	B	Clamps 50mm ²	2 x M12	168	155	140	7	-	90	331	240	160
CNW 114/180	B	Clamps 95mm ²	2 x M12	168	155	140	7	-	90	339	240	160
CNW 114/300	C	Connection bolt (M12)	1 x M10	265	250	230	7	-	130	438	348	180
CNW 114/450	D	Copper bar (25 x 8)	1 x M12	265	240	215	9	10,5	160	530	440	190
CNW 114/600	D	Copper bar (30 x 10)	1 x M12	265	240	215	9	10,5	160	550	440	190
CNW 114/900	D	Copper bar (50 x 10)	1 x M12	265	240	215	9	14	160	630	440	190
CNW 114/1200	D	Copper bar (60 x 10)	1 x M12	265	240	215	9	14	160	630	440	190

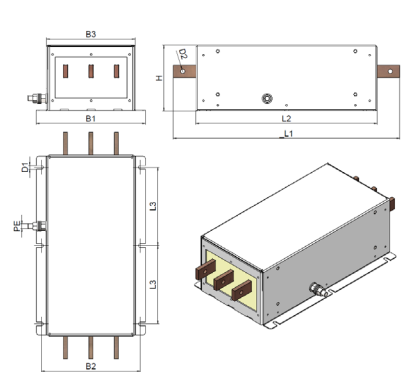
Housing B



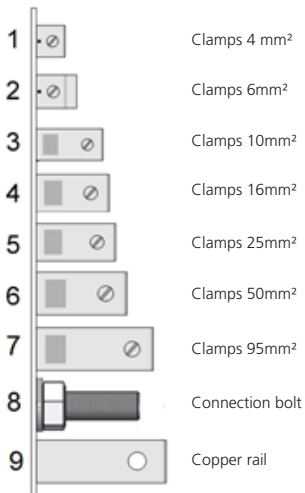
Housing C



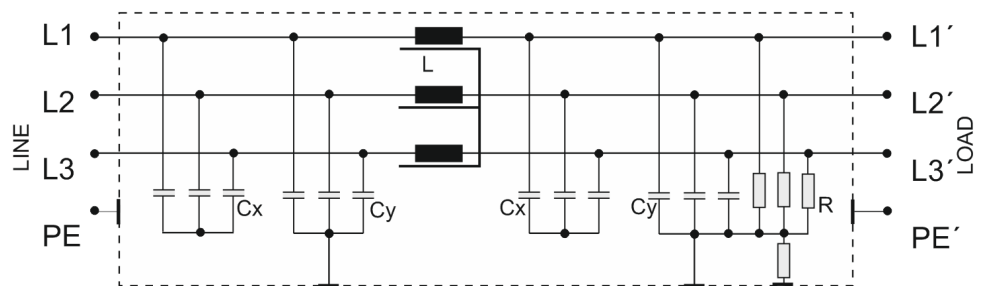
Housing D



Connections



Circuit example



PE-Connections

