

N CNW 892

DC-link chokes (2 lines)

Advantages

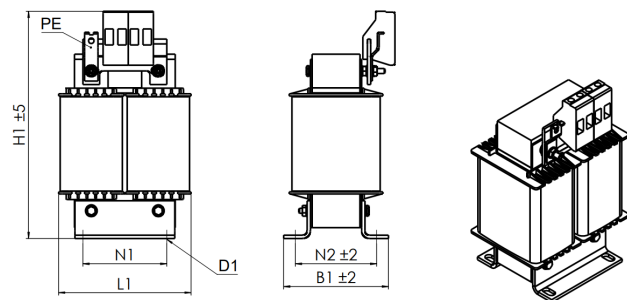
- Reduction of harmonic waves
- Damping of current peaks up to 70 %
- Compact design
- Advantages compared to the line choke:
 - Smaller size
 - Reduced material costs / price
 - Lower power dissipation
- Production according to UL insulation system E251513 possible

Description

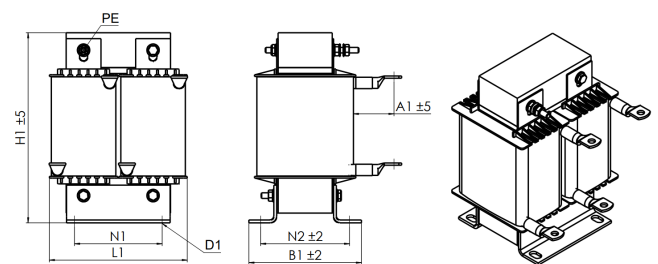
- Nominal voltage: $U \leq 800$ V
- According to: EN 60289 / EN 61558
- Test voltage: L-PE 4000 V, AC/50 Hz, 60s
- Insulation class: T40/F
- Protection class: IP 00
- Climate category: DIN IEC 60068-1
- Overload: $1.5 \times I_{\text{Rated}}$ 1 min/h
- Design: Mounted on brackets



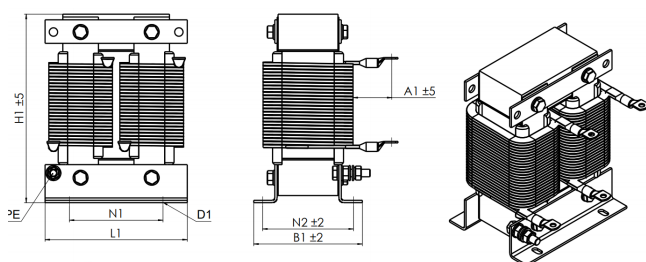
Design 1



Design 2



Design 3



Technical details

N CNW 892						
Type	Nominal voltage U [V]	Nominal current I [A]	Inductance L [mH]	Losses P [W]	Weight [kg]	Weight Cu [kg]
N CNW 892 / 8	600 50 / 60 Hz	8	9,4	30	1,4	0,6
N CNW 892 / 11		11	6,2	30	2,0	0,6
N CNW 892 / 15		15	4,8	40	2,4	0,8
N CNW 892 / 20	800 50 / 60 Hz	20	3,3	30	3,0	1,2
N CNW 892 / 28		28	2,4	40	3,8	1,1
N CNW 892 / 34		34	2,0	40	4,0	1,3
N CNW 892 / 40		40	1,6	70	5,0	1,2
N CNW 892 / 55		55	1,2	80	6,0	1,4
N CNW 892 / 70		70	0,98	80	8,0	2,3
N CNW 892 / 85		85	0,81	90	11,0	2,0
N CNW 892 / 100		100	0,67	120	13,0	1,8



Typical applications: Drive systems for motor drives, mechanical engineering, elevators / escalators, pipes, conveyor technology, ventilation and air conditioning, robotics, automation technology, power supplies, wind turbines

Dimensions in mm

N CNW 892										
Type	Dimensions			Mounting			Connection			
	L [mm]	B [mm]	H [mm]	N1 [mm]	N2 [mm]	D1 [mm]	Clamps/ Cross section [mm ²]	PE	A1 [mm]	Design
N CNW 892 / 8	80	53	135	50	39	4,8 x 9	4,0	M4	-	1
N CNW 892 / 11	80	63	135	50	49	4,8 x 9	4,0	M4	-	1
N CNW 892 / 15	100	66	155	63	49	6 x 10	4,0	M4	-	1
N CNW 892 / 20	100	66	140	63	49	6 x 10	10 (M4)	M4	35	2
N CNW 892 / 28	100	81	140	63	64	6 x 10	10 (M5)	M4	35	2
N CNW 892 / 34	100	81	140	63	64	6 x 10	16 (M5)	M4	35	2
N CNW 892 / 40	120	87,5	165	76	68,5	7 x 13	10 (M6)	M6	40	3
N CNW 892 / 55	120	97,5	165	76	78,5	7 x 13	16 (M6)	M6	40	3
N CNW 892 / 70	152	92	205	100	73	7 x 13	25 (M8)	M8	45	3
N CNW 892 / 85	152	112	205	100	93	7 x 13	25 (M8)	M8	45	3
N CNW 892 / 100	160	127	215	100	103	7 x 13	25 (M8)	M8	45	3